

BIMETALL-POINTER-THERMOMETER

For heating and sanitary



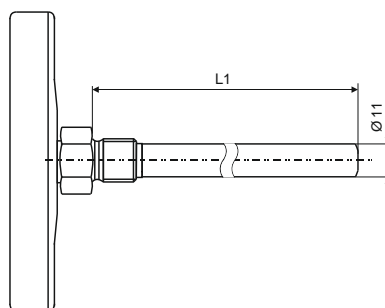
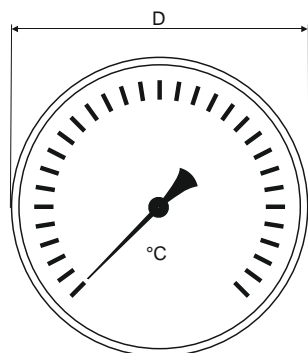
Protection tube - stainless steel

Protection tube - welded connection

A solid constructed temperature measuring instrument for heating and sanitary

Model	01 063	01 080	01 100	01 160	Options
Nominal size	63	80	100	160	
Form					
Accuracy	2				1,6, 1
Ranges	-30...+50°C, -20...+60°C, 0...60°C, 0...100°C , 0...120°C, 0...160°C, 0...200°C, 0...250°C, 0...400°C				-50+50, -30+30, -20+40, 0+40, 0+50, 0+60, 0+80, other on request
Application	End of scale value				
Pressurue at thermowell	max. 6 bar				
Case	Steel galvanized				
Slip ring	NS 80: Steel tin-plated / NS63 und 100: stainless steel				
Dial	Aluminium white, black printed				
Pointer	Aluminium black				
Window	NS63, NS100, NS160: glass / NS80: plastic				
Plain stem	Ø 9mm, centric backwards				
Connection	Removable thermowell made of brass 58, Ø11mm Thread connection G1½A with lateral screw M3 steel galvanized				Protection tube 1. stainless steel or 2. Welded connection Made of good welding automation steel
Plain stem length (Nominal length) mm	45, 63, 100 (fullmaterial) 150, 200 (some parts, soft welded)				other length on request
Protection	IP 43				
Approx. Weight (kg)	0,07	0,08	0,13	0,28	

Model	Dimensions in mm	
	D	L - Nominal length (gage length)
01 063	63	45 (45), 63 (60), 100 (95), 150 (145), 200 (195), 300 (295); other on request
01 080	80	45 (35), 63 (60), 100 (95), 150 (145), 200 (195); 300 (295); other on request
01 100	100	45 (45), 63 (60), 100 (95), 150 (145), 200 (195), 300 (295); other on request
01 160	160	45 (45), 63 (60), 100 (95), 150 (145), 200 (195), 300 (295); other on request

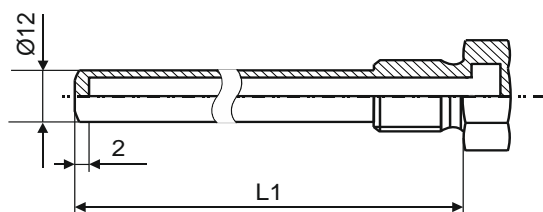


Measuring range	Subdivision
-50...+ 50 °C	1:1
-30...+ 50 °C	1:1
-20...+ 40 °C	1:1
-20...+ 60 °C	1:1
0 ...40 °C	1:1
0 ...50 °C	1:1
0 ...60 °C	1:1
0 ...80 °C	1:1
0 ...100 °C	1:1
0 ...120 °C	2:1
0 ...160 °C	2:1
0 ...200 °C	5:1
0 ...250 °C	5:1
0 ...300	5:1
0 ...400	10:1

Options

Type 996 Protection tube screw stainless steel 1.4571

Thread connection G $\frac{1}{2}$ A with lateral screw M3 made of steel, galvanized up to length 100 mm turned of fullmaterial, other length soft soldered, over 120°C hart soldered

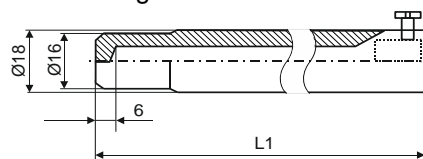


Nominal length	L1 Dimensions in mm
45	40
63	60
100	95
150	155
200	195

or

Type 966 Protection tube welded connection made of good welding automation steel

with lateral screw M3, steel galvanized, up to length 100 mm turned fullmaterial, other lengths welded



**one-piece
PN40**
or

Nominal length	L1 Dimensions in mm
45	55
63	70
100	105
150	155
200	205



**two-piece
PN25**

Nominal length	L1 Dimensions in mm
45	58
63	76
100	113
150	163
200	213

For capacity reasons, these thermometers can also be supplied without lateral locking screw.